

THE INFORMATION CONTAINED IN THIS DRAWING IS THE SOLE PROPERTY OF BYK-RAK, LLC. ANY REPRODUCTION IN PART OR WHOLE WITHOUT THE WRITTEN PERMISSION OF BYK-RAK, LLC IS PROHIBITED.

REVISIONS		
REV.	DESCRIPTION	DATE
AA	BASELINE RELEASE	08/25/10
AB	REVISED TO UPDATED SUBASSEMBLIES	11/3/2010
AC	REVISED TO UPDATED SUBASSEMBLIES	11/15/2010
D	Hardware updated	5-8-12

A

A

B

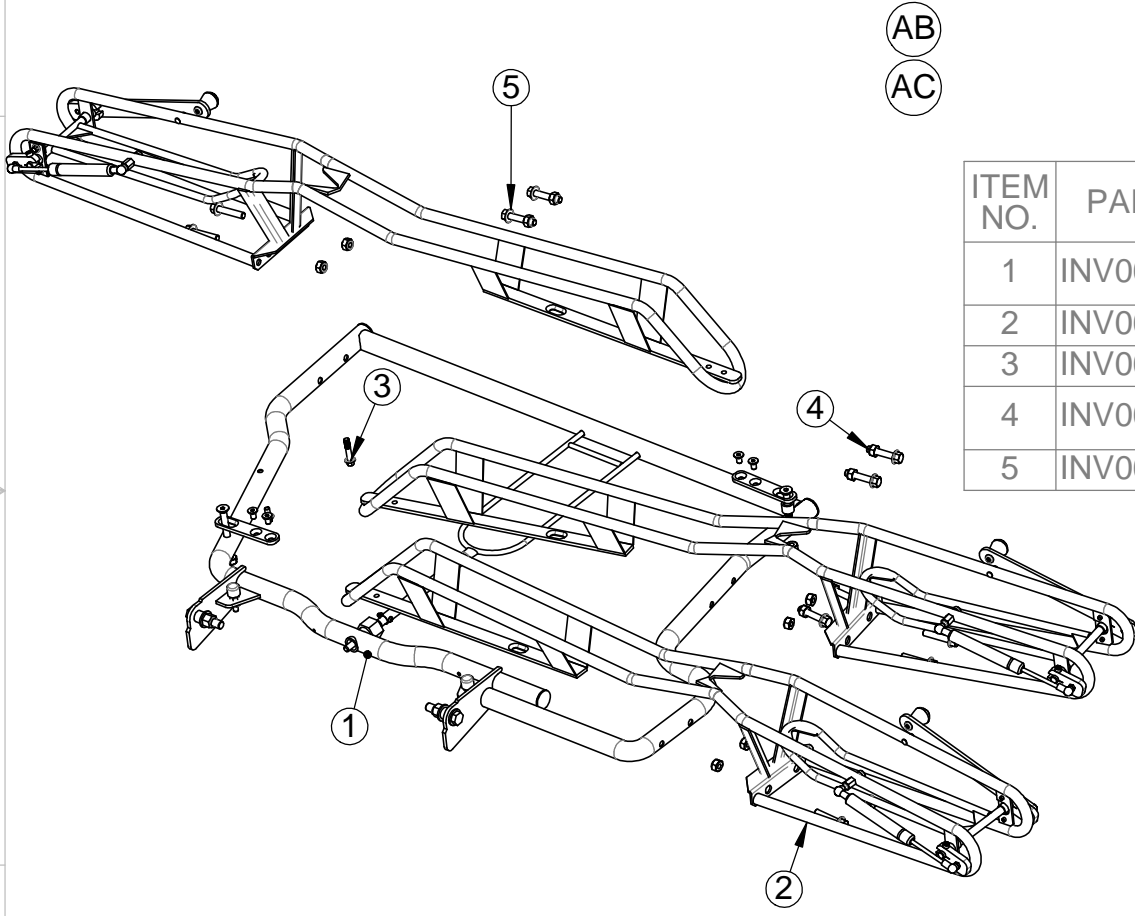
B

C

C

D

D



ITEM NO.	PART NUMBER	DESCRIPTION	REVISION	QTY.
1	INV067-B012-3E	Frame ASy 3-Position Wide	AB-002	1
2	INV067-B087-3D	Asy-Modular Rail	AG-010	3
3	INV067-B296-3D	Bolt - Hex Flg Hd	AA-004	1
4	INV067-B292-3D	Hex Nut Nylon	AB-006	6
5	INV067-B291-3D	Bolt - Hex Flg Hd	AB-009	6

**General Notes:**

Rail Assembly is universal; handle and damper are switched from side to side to change location

Hardware Torque Specs are as follows:  
 8MM - 27.12 N-m (20 lbf-ft)  
 10MM - 59.94 N-m (42 lbf-ft)

Quick Release Mounting kit (#Z900061) is available

Dimensions are in mm unless otherwise specified	CAD Generated Drawing, Do Not Manually Update	Notes	
Tolerances:	Do Not Scale Drawing	Description Rack Asy 3-Position Wide	
Material:	Status:	Name	
Treatment: no treatment required	Project: Current production bike racks Mass: 24691 (g)	Rack Asy 3-Position Wide	
		Size A	Dwg. No. INV067-B003-3E
		Scale 1:12	CAD File INV067-B003-3E
		Printed:	Monday, December 10, 2012
		Part Rev. D	Dwg. Rev. D
		Seq. 1	Seq. 1
		Sheet	1 of 2

**Confidential  
patents pending**



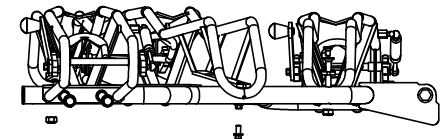
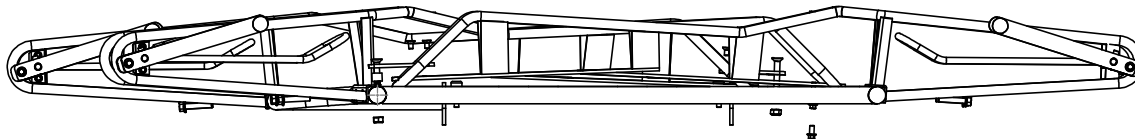
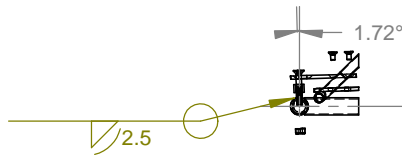
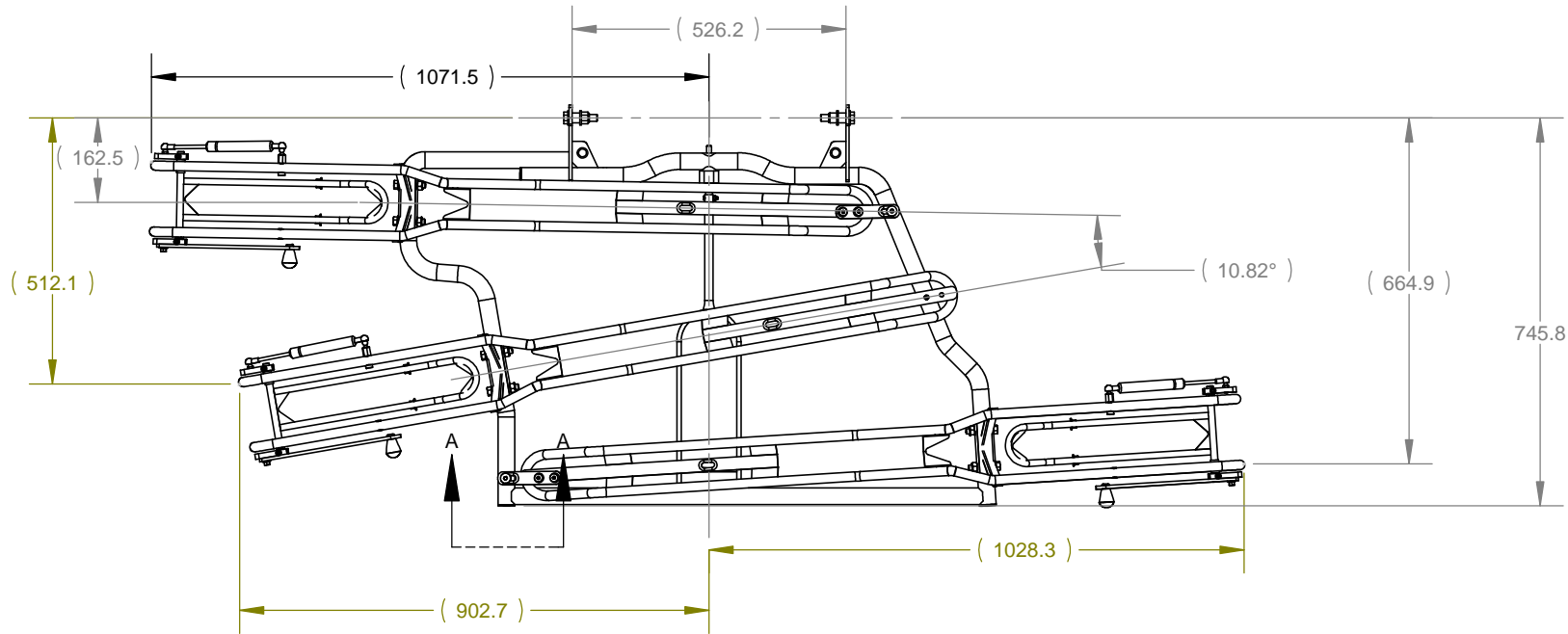
Byk-Rak, LLC PO Box 40 Owosso, MI 48867  
 Phone: 800-627-6627


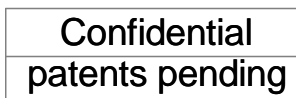
8 7 6 5 4 3 2 1

8 7 6 5 4 3 2 1

8 7 6 5 4 3 2 1

THE INFORMATION CONTAINED IN THIS DRAWING IS THE SOLE PROPERTY OF BYK-RAK, LLC. ANY REPRODUCTION IN PART OR WHOLE WITHOUT THE WRITTEN PERMISSION OF BYK-RAK, LLC IS PROHIBITED.



Dimensions are in mm unless otherwise specified	CAD Generated Drawing, Do Not Manually Update	Notes	
Tolerances:	Do Not Scale Drawing	Description Rack Assy 3-Position Wide	
Material:	Status:	Name	
Treatment: no treatment required	Project: Current production bike racks Mass: 24691 (g)	<b>Rack Assy 3-Position Wide</b>	
		Size A	Dwg. No. INV067-B003-3E
		Scale 1:14	CAD File INV067-B003-3E
		Printed:	Monday, December 10, 2012
Byk-Rak, LLC PO Box 40 Owosso, MI 48867 Phone: 800-627-6627		Part Rev. AC-003	Dwg. Rev. Seq. AC-001
		Sheet	2 of 2